

T estpassport Q&A



Bessere Qualität , bessere Dienstleistungen!

We offer free update service for one year
[Http://www.testpassport.ch](http://www.testpassport.ch)

Exam : JN0-648

**Title : Enterprise Routing and
Switching, Professional
(JNCIP-ENT)**

Version : DEMO

1.Exhibit.

```
user@router# show interfaces ge-0/0/1
description "Customer Port";
flexible-vlan-tagging;
native-vlan-id 150;
encapsulation extended-vlan-bridge;
unit 10 {
    vlan-id-list 100-200;
    input-vlan-map push;
    output-vlan-map pop;
}
user@router# show interfaces xe-0/0/48
description "Uplink Port";
vlan-tagging;
unit 10 {
    vlan-id 10;
}
```

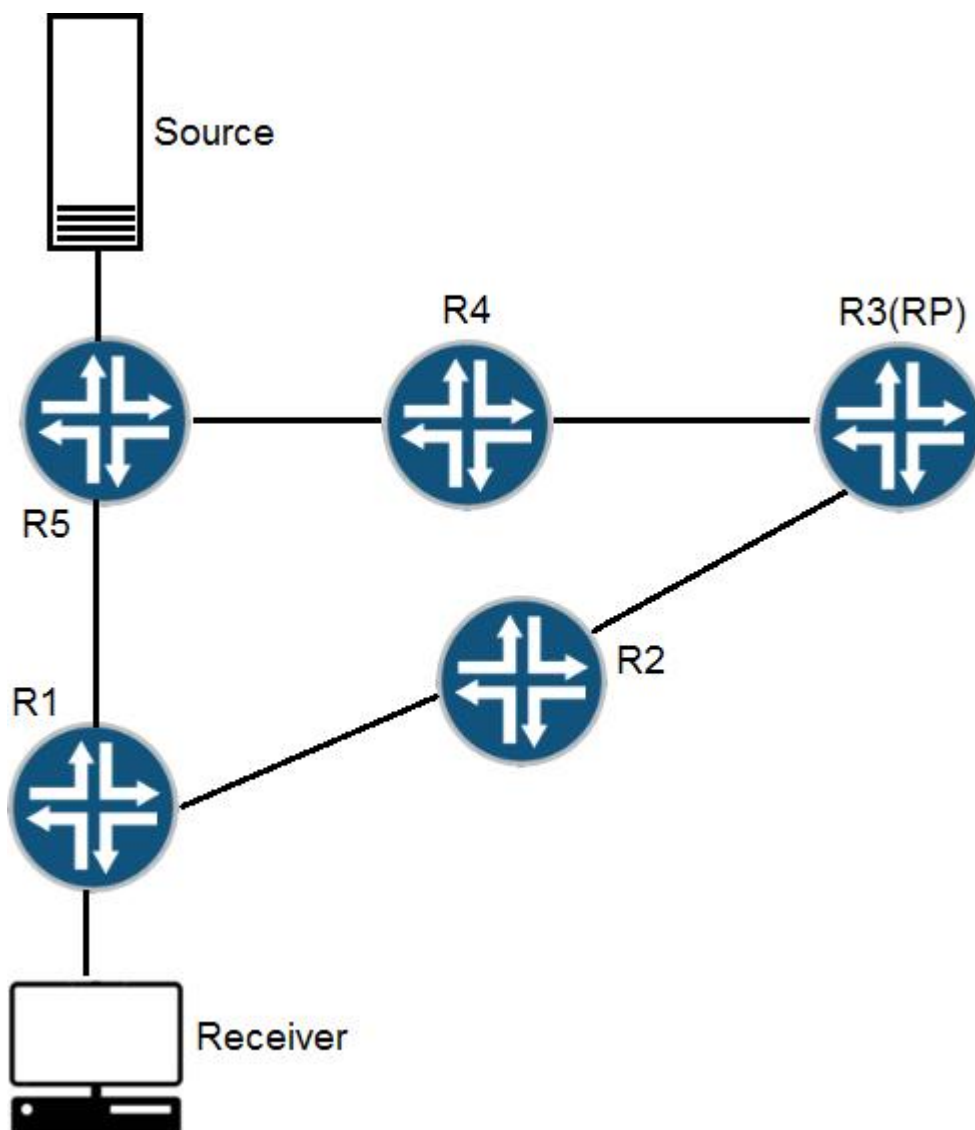
```
user@router# show vlans v10
interface ge-0/0/1.10;
interface xe-0/0/48.10;
```

Referring to the exhibit, which two statements are true regarding Q-in-Q tunneling? {Choose two}

- A. The C-VLAN traffic will be encapsulated with an outer VLAN tag of 10.
- B. The C-VLANs 100-200 will be sent as the inner VLAN tag
- C. The C-VLAN 150 will be sent as the inner VLAN tag
- D. The C-VLAN traffic will be encapsulated with an outer VLAN tag of 150

Answer: A,B

2.Exhibit.



Referring to the exhibit, a RSM network is set up to enable communication between multicast devices. Which statement is true in this scenario?

- A. After the formation of the shortest-path tree, a join message is sent from R2 to R1.
- B. After the formation of the shortest-path tree, a join message is sent from R1 to R5
- C. After the formation of the shortest-path tree, a prune message is sent from R1 to R2.
- D. After the formation of the shortest-path free, a prune message is sent from R1 to R5.

Answer: C

3. In IS-IS advertising POU's with the overload bit has which effect?

- A. The local device will no longer be used for transit traffic
- B. The local device's POU's are marked with a metric of 65535
- C. The ISIS adjacencies become passive
- D. The IS-IS adjacencies enter the "new" state

Answer: A

4. What are two supported PoE management modes? (Choose two.)

- A. mixed

- B. standalone
- C. class
- D. static

Answer: C,D

5.You have an MX960 configured as a Fusion aggregation device (AD) and two QFX5100 switches as satellite devices (SD). You have configured local-switching for each SD. A packet with an unknown MAC address is received on one of the SD extended ports.

Which statement is correct in this scenario?

- A. The packet is dropped and a reject message is sent out to the port where it was received.
- B. The packet is silently discarded and a reject message is sent to the AD.
- C. The packet is flooded out of all the ports on the SD except the one where it was received.
- D. The packet is sent to the AD to be processed and forwarded.

D18912E1457D5D1DDCBD40AB3BF70D5D

Answer: D